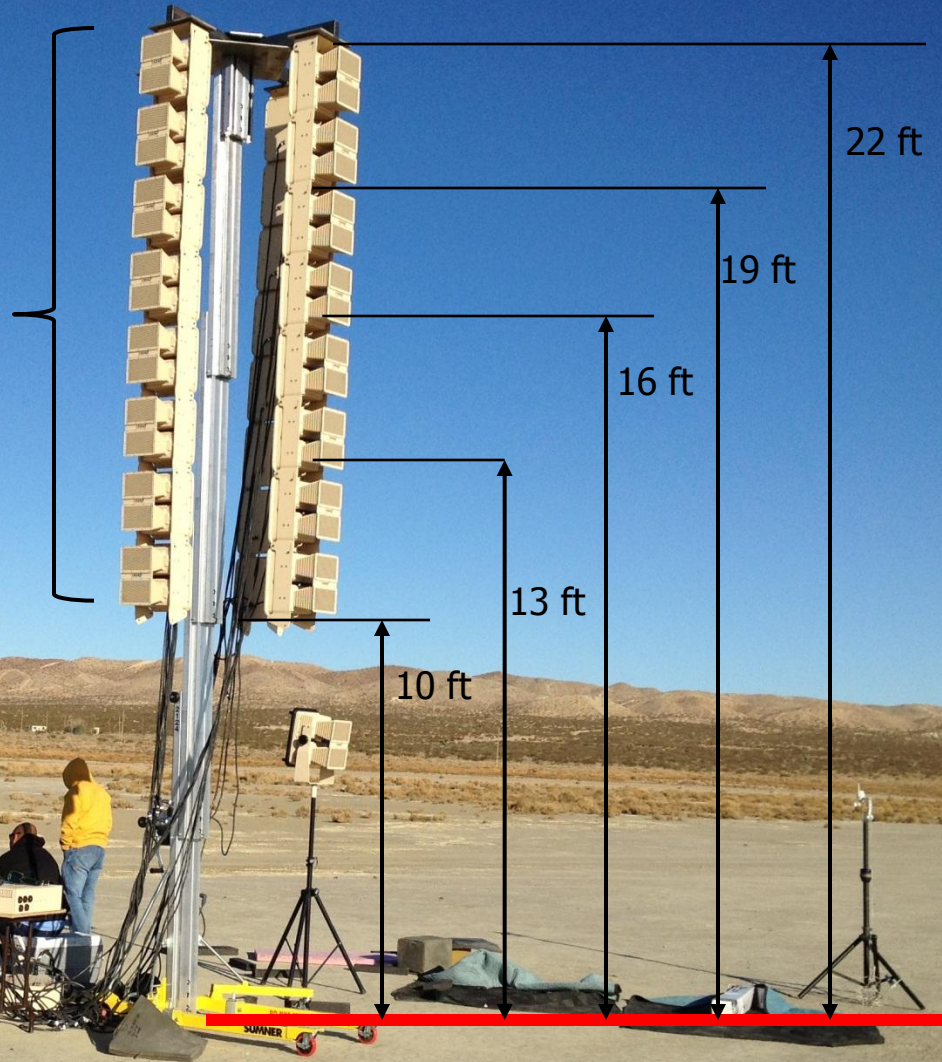


16 Transducers
stacked one above the other
In a single LINE ARRAY



Results of Special Test.

No Reference, Intentionally Confused, Similar Sounding, Soft Consonants

1. Ability to distinguish the most difficult and suppressed parts of words soft consonants.

Normally an announcement is much easier to understand than to pass a soft consonants test. This is because the human brain can understand and "fill-in" missing information based upon the context of the rest of the Message. This is done so automatically, that we are not even aware that "in fact" we did not hear an "h" or a "th" etc.. But that our brain "filled in" the missing sound to make sense of the message. This is psycho-acoustics.

This test speaks only individual words, with no reference to each other, with soft consonants, so that our brain has no way to determine what the sound "should be". This is done with words that sound very similar and are easily confused, one for the other. Psycho-acoustics will not help.

Note: The ranges on these tests will be shorter than the ranges a person should be able to clearly understand an Emergency Message

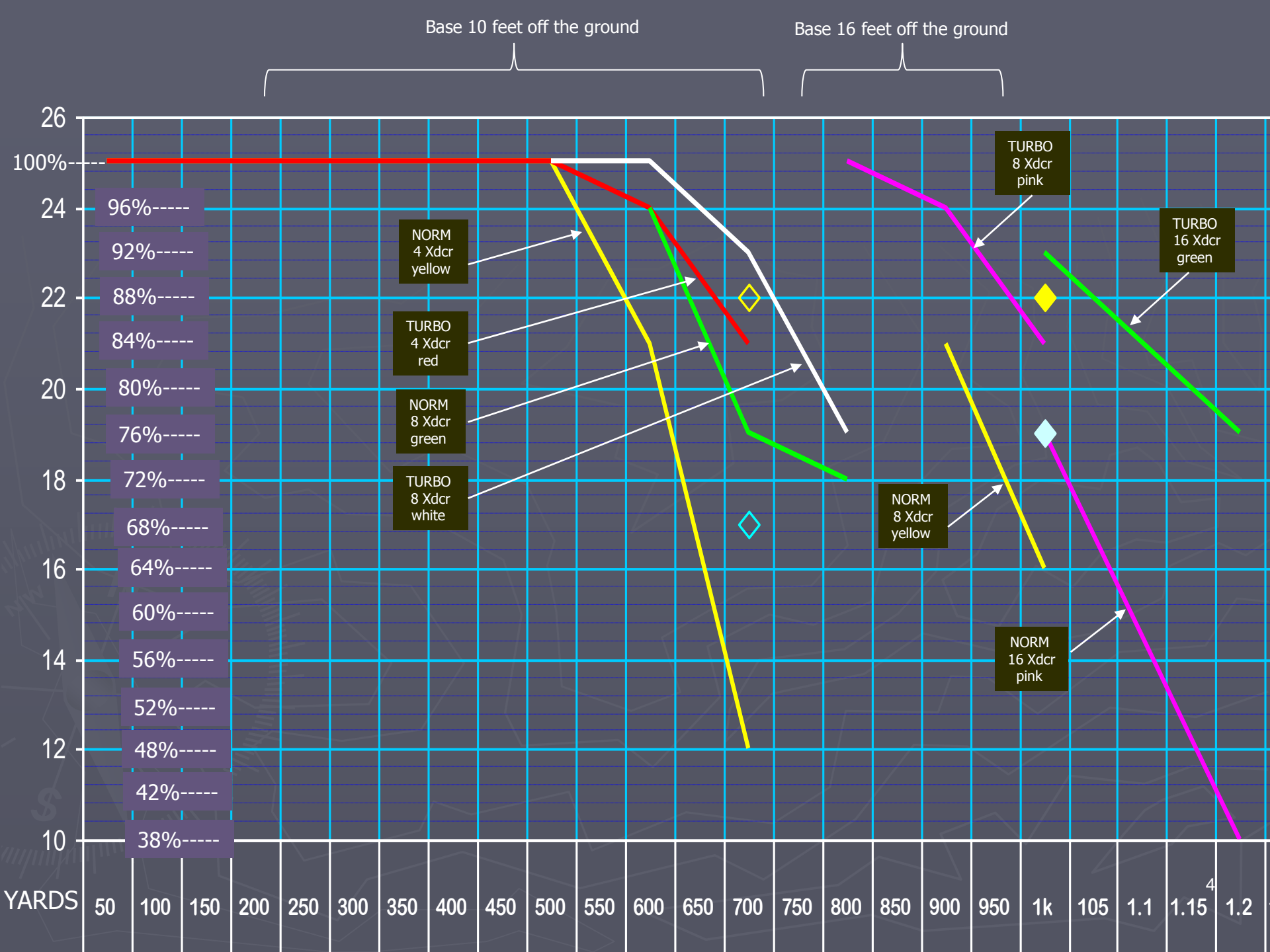
In each test 25 words were spoken. All words right =100%,
24 words right= 96%, 20 words right=80%, 15 words right= 60%, etc...

Results of Special Test.

No Reference,
Intentionally Confused,
Similar Sounding,
Soft Consonants

NOTE: THESE WERE BLIND TESTS

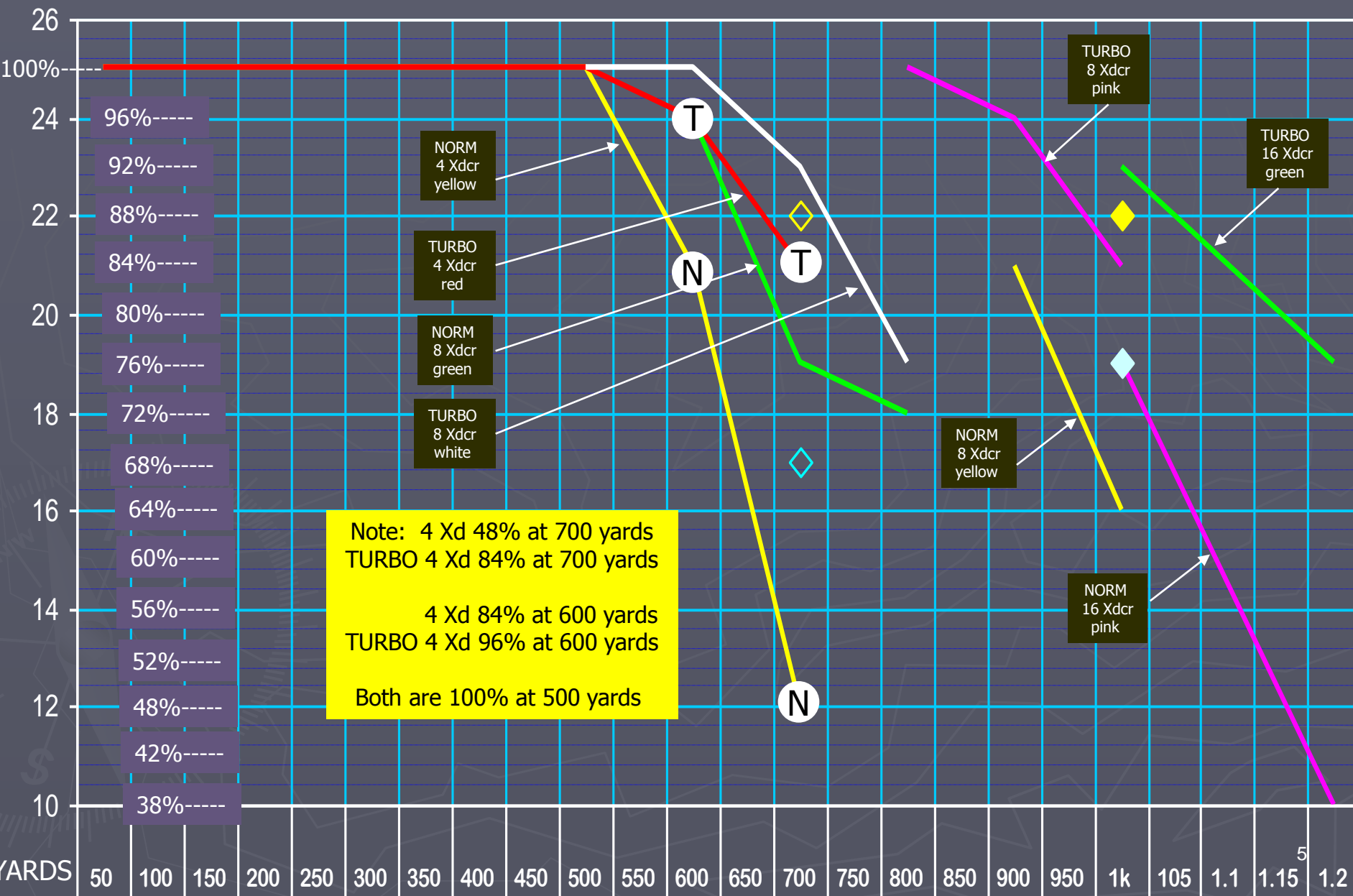
TESTS WERE NOT GRADED AGAINST THE MASTER WORD LIST
UNTIL ONE DAY AFTER WE RETURNED FROM FIELD TESTING



Effect of TURBO 4 Xdcr Line Array

Base 10 feet off the ground

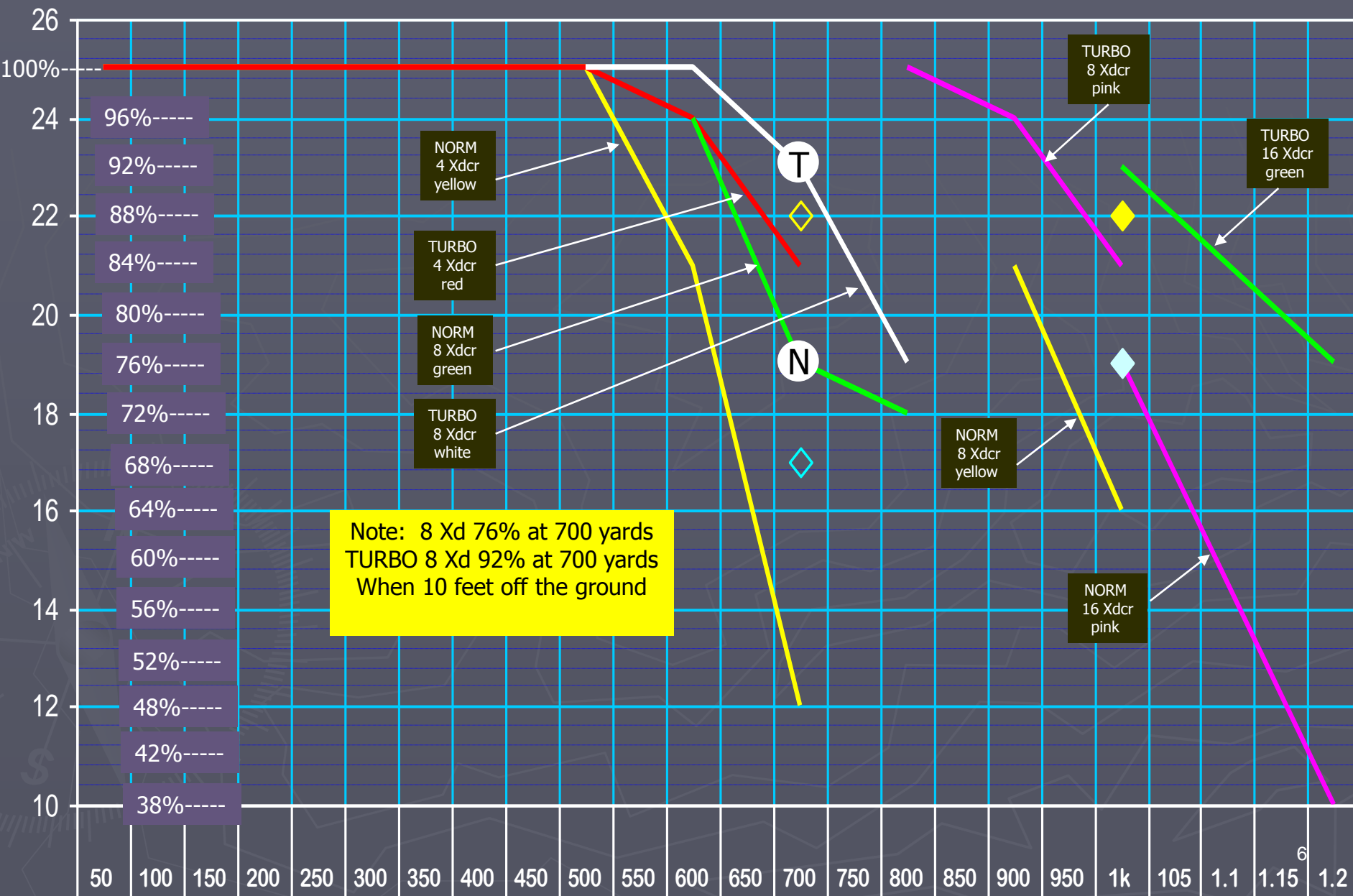
Base 16 feet off the ground



Effect of TURBO 8 Xdcr Line Array

Base 10 feet off the ground

Base 16 feet off the ground



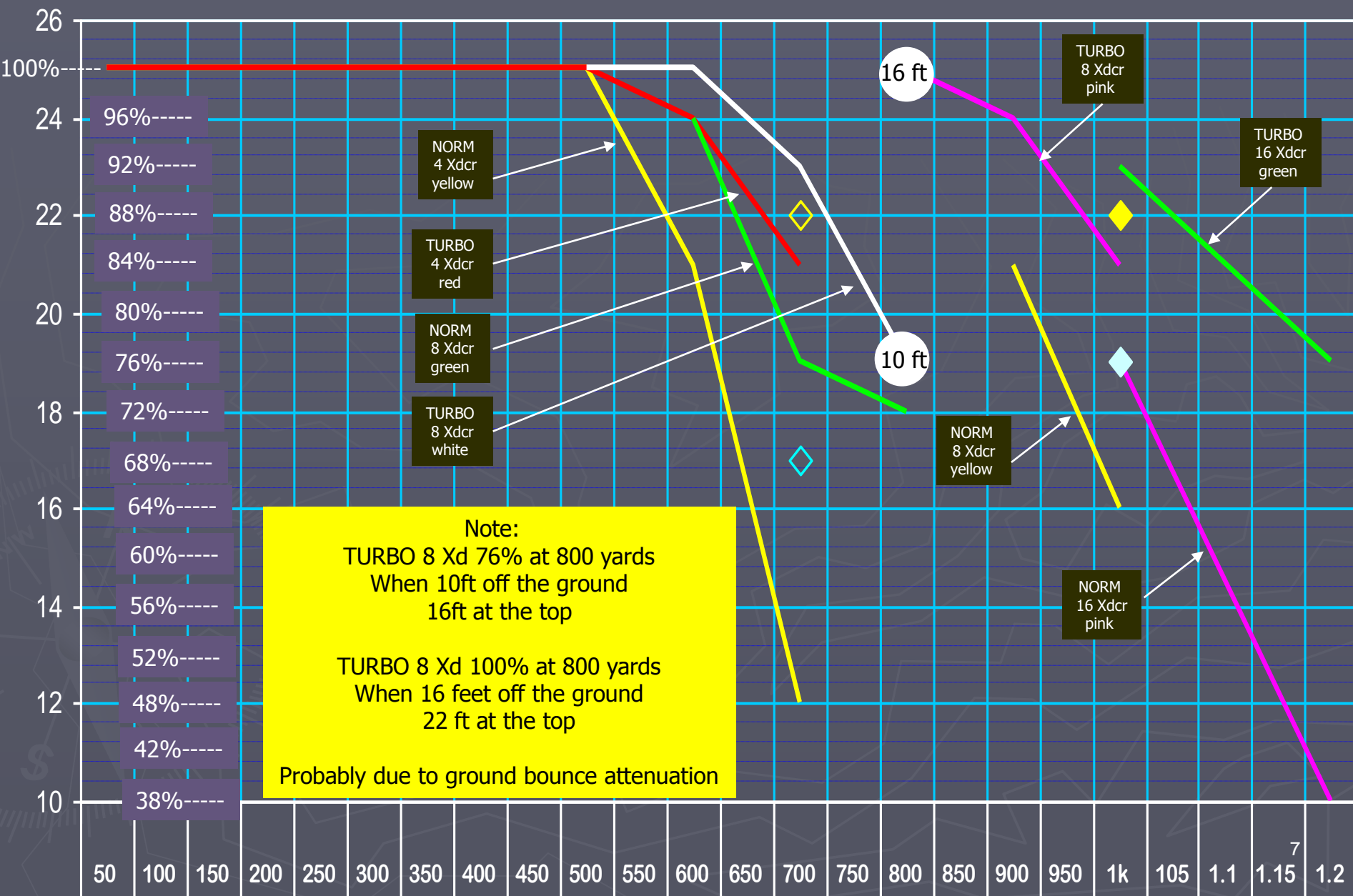
Note: 8 Xd 76% at 700 yards
TURBO 8 Xd 92% at 700 yards
When 10 feet off the ground

TURBO 8 Xdcr

Effect of array height

Base 10 feet off the ground

Base 16 feet off the ground



Note:
 TURBO 8 Xd 76% at 800 yards
 When 10ft off the ground
 16ft at the top

TURBO 8 Xd 100% at 800 yards
 When 16 feet off the ground
 22 ft at the top

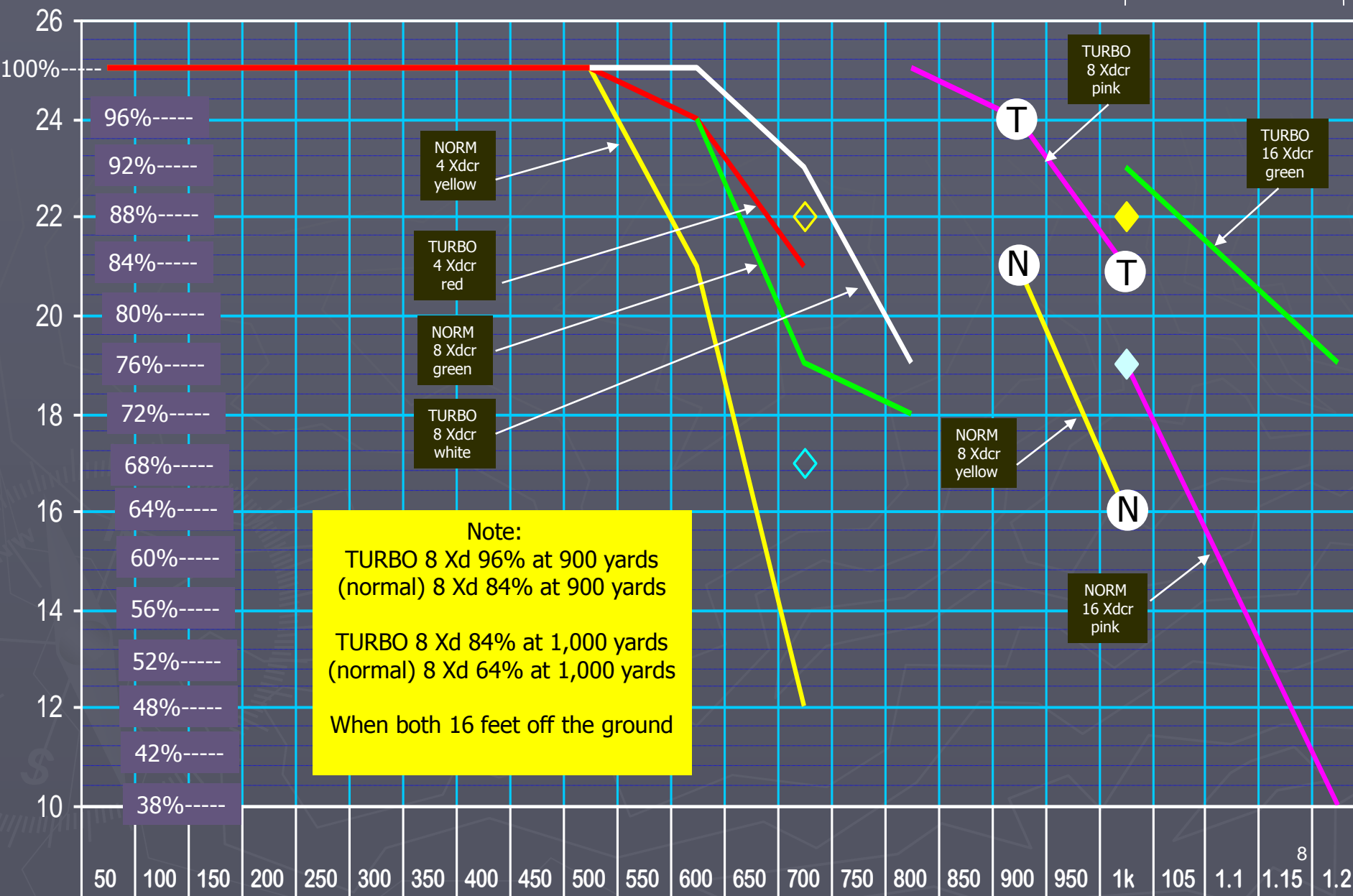
Probably due to ground bounce attenuation

8 Xdcr Turbo effect Line Array (tall array)

Base 10 feet off the ground

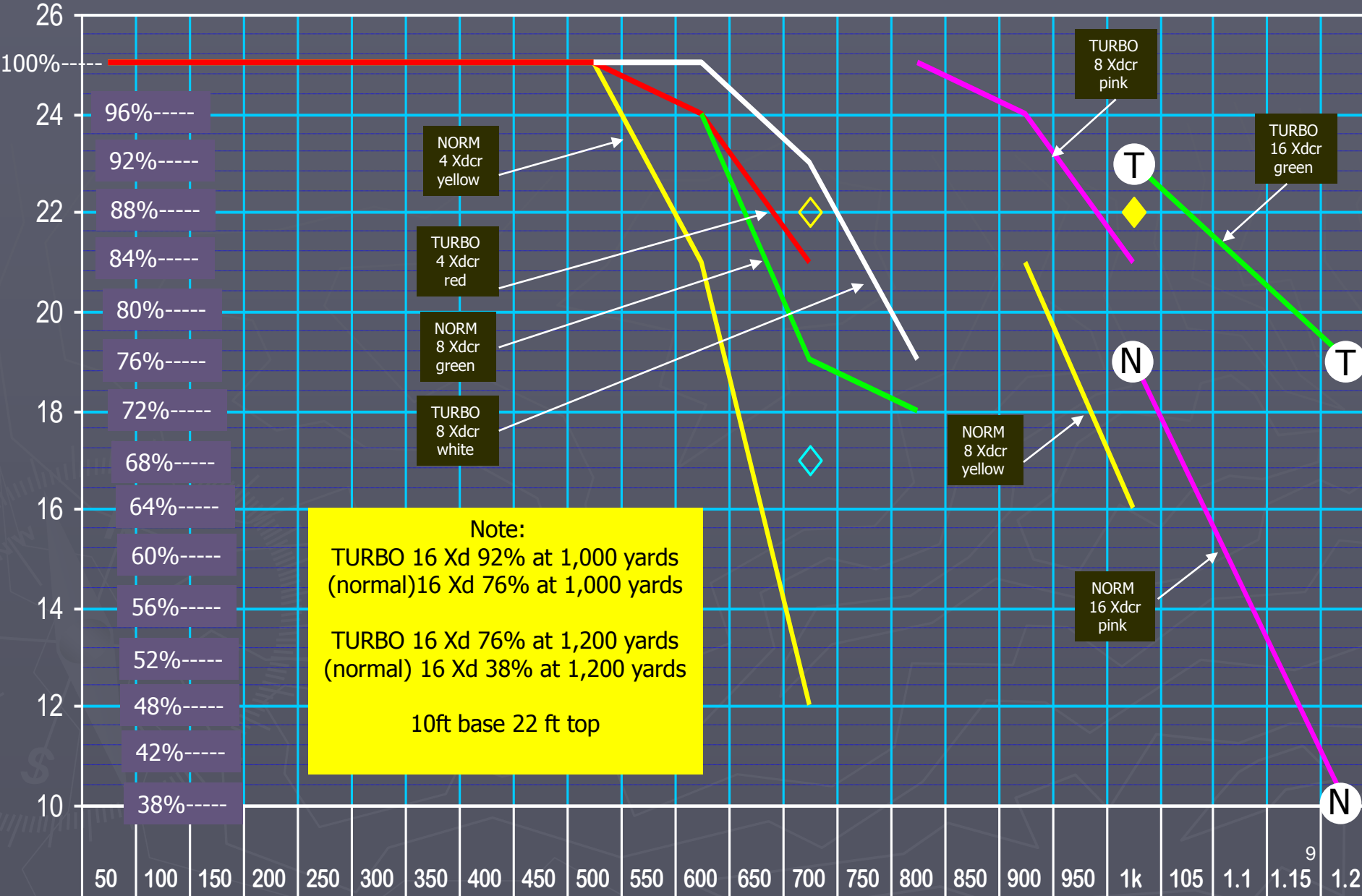
Base 16 feet off the ground

16MN 10ft base 22ft top

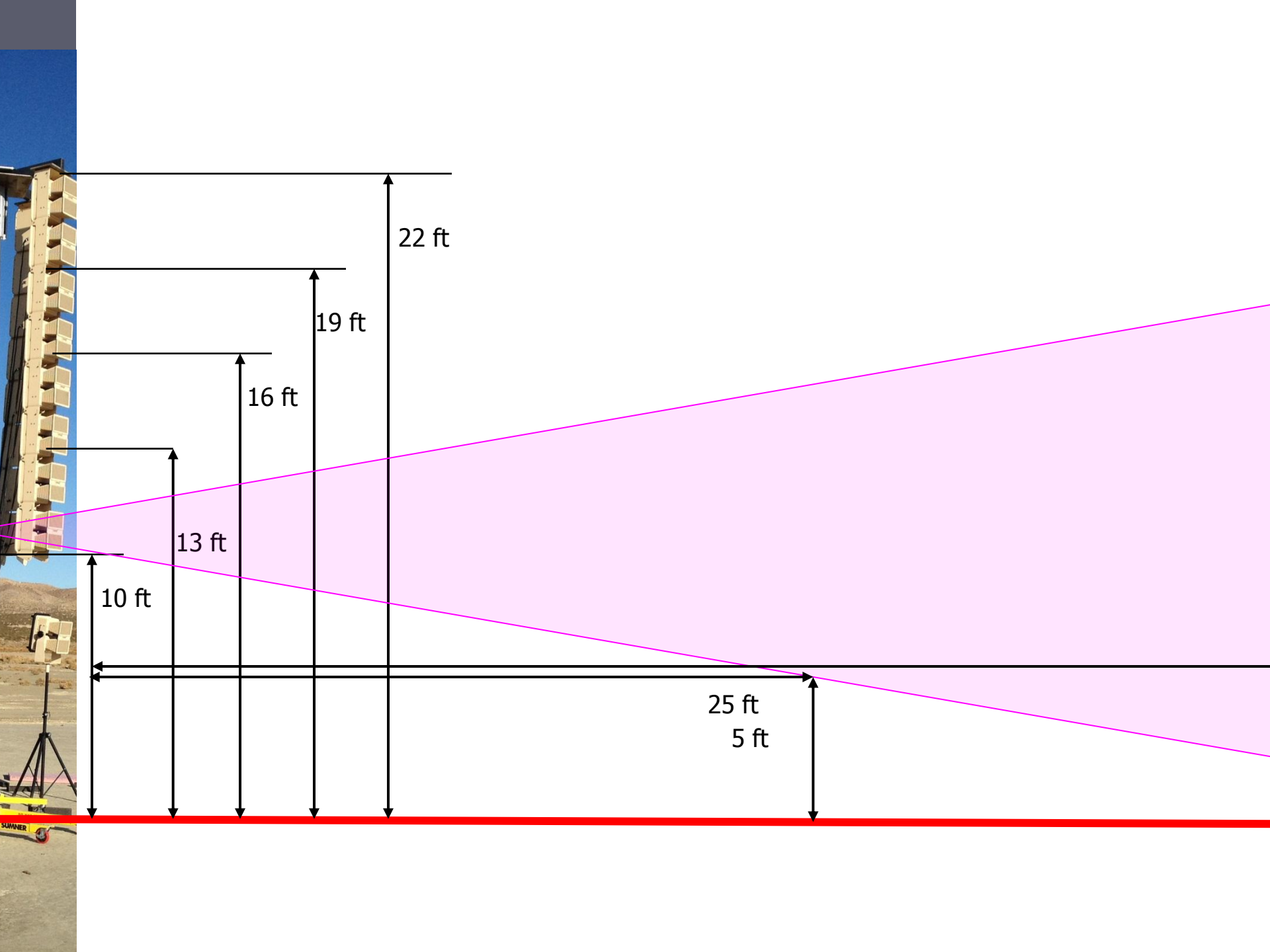


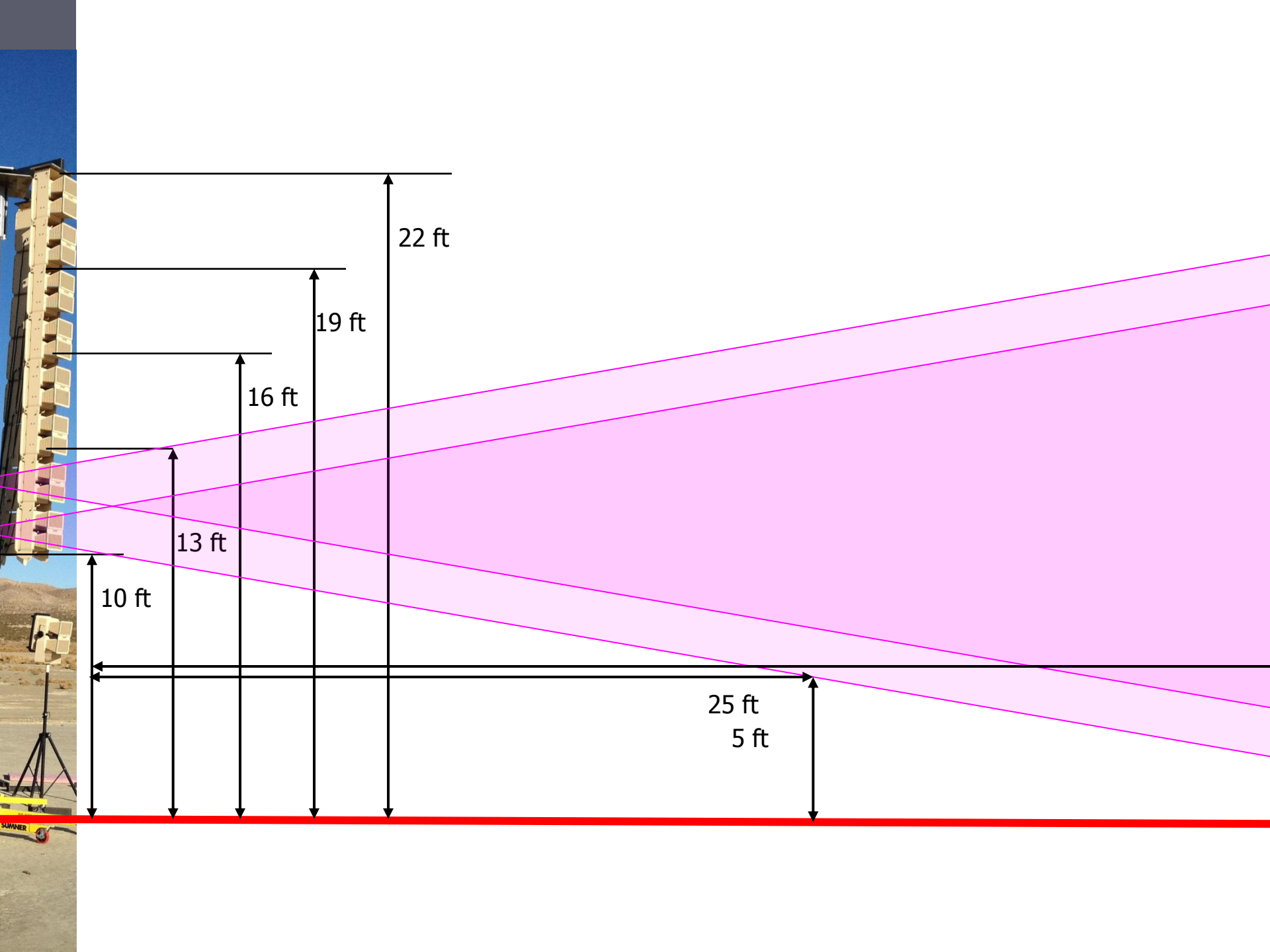
16 Xdcr Turbo effect Line Array (full array)

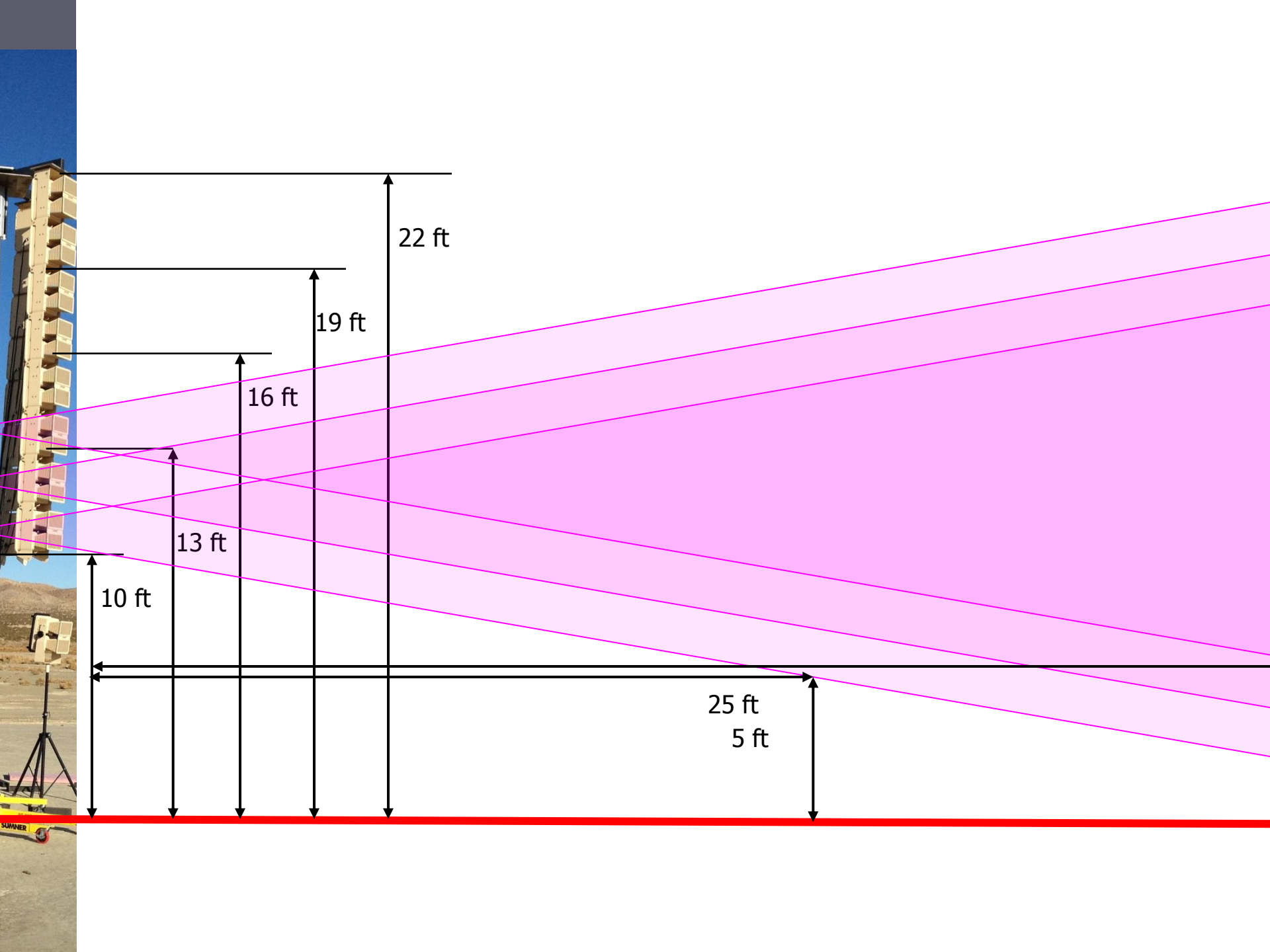
Base 10 feet off the ground Base 16 feet off the ground 16MN 10ft base 22ft top

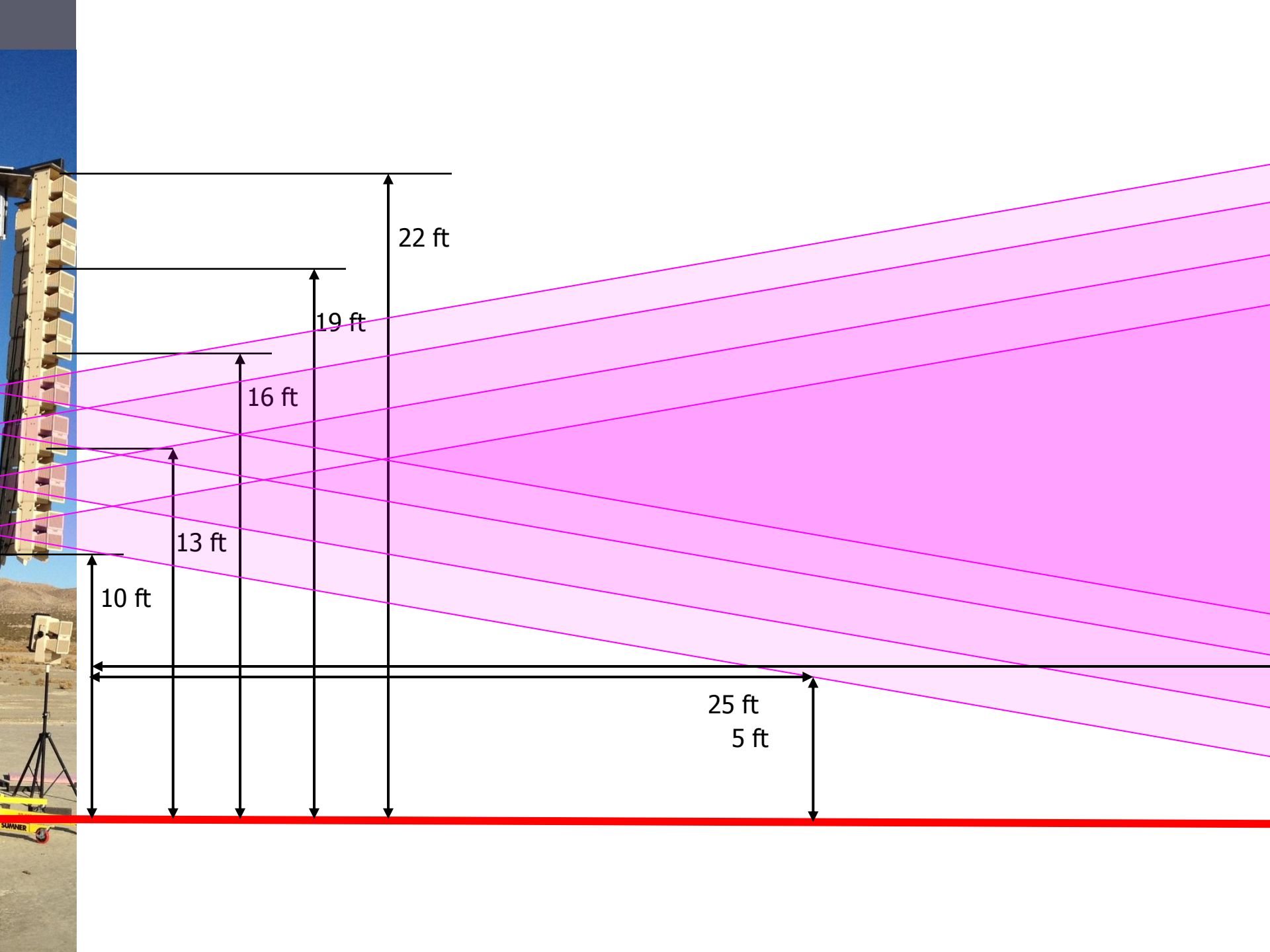


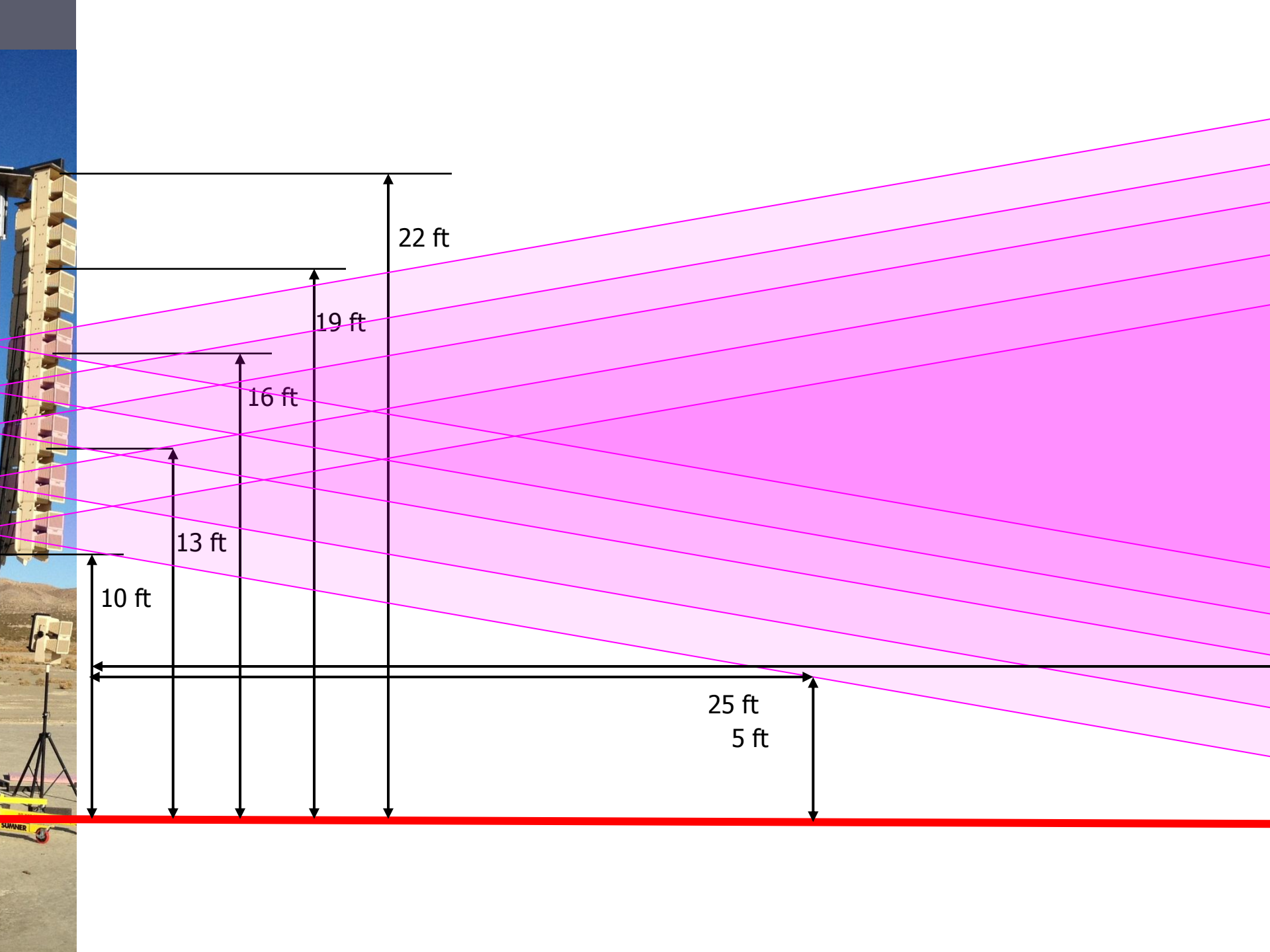
Note:
 TURBO 16 Xd 92% at 1,000 yards
 (normal) 16 Xd 76% at 1,000 yards
 TURBO 16 Xd 76% at 1,200 yards
 (normal) 16 Xd 38% at 1,200 yards
 10ft base 22 ft top

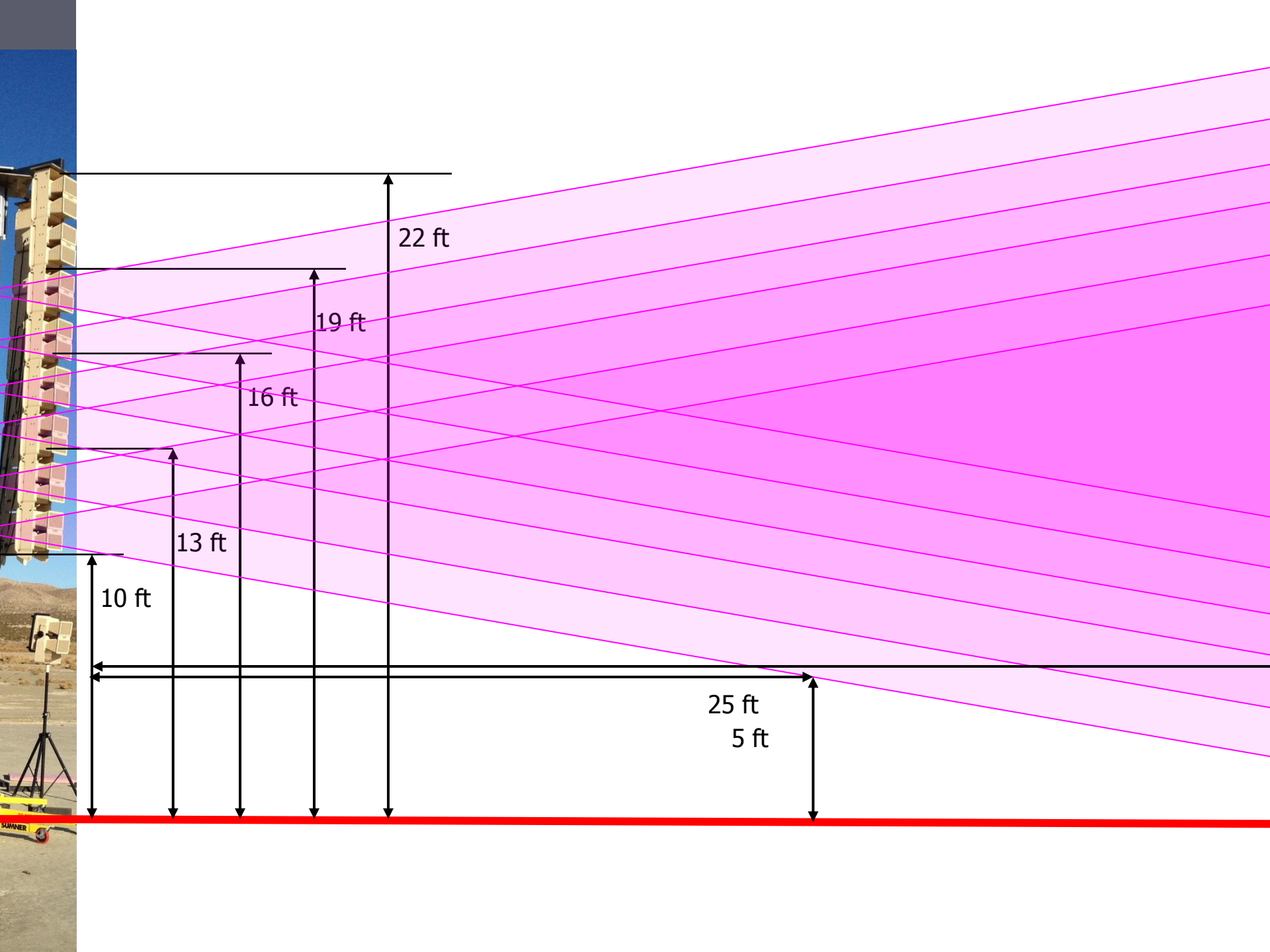


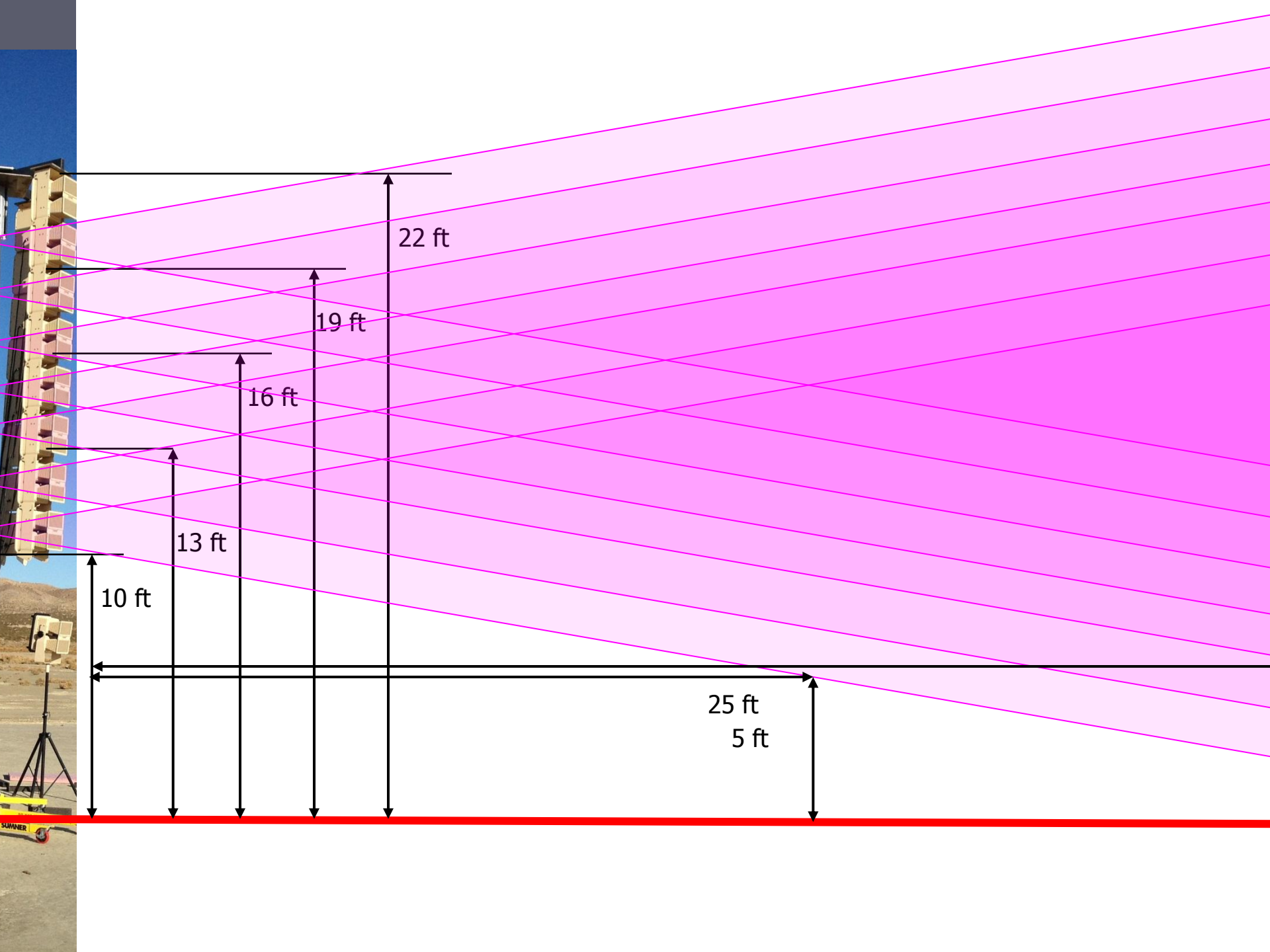


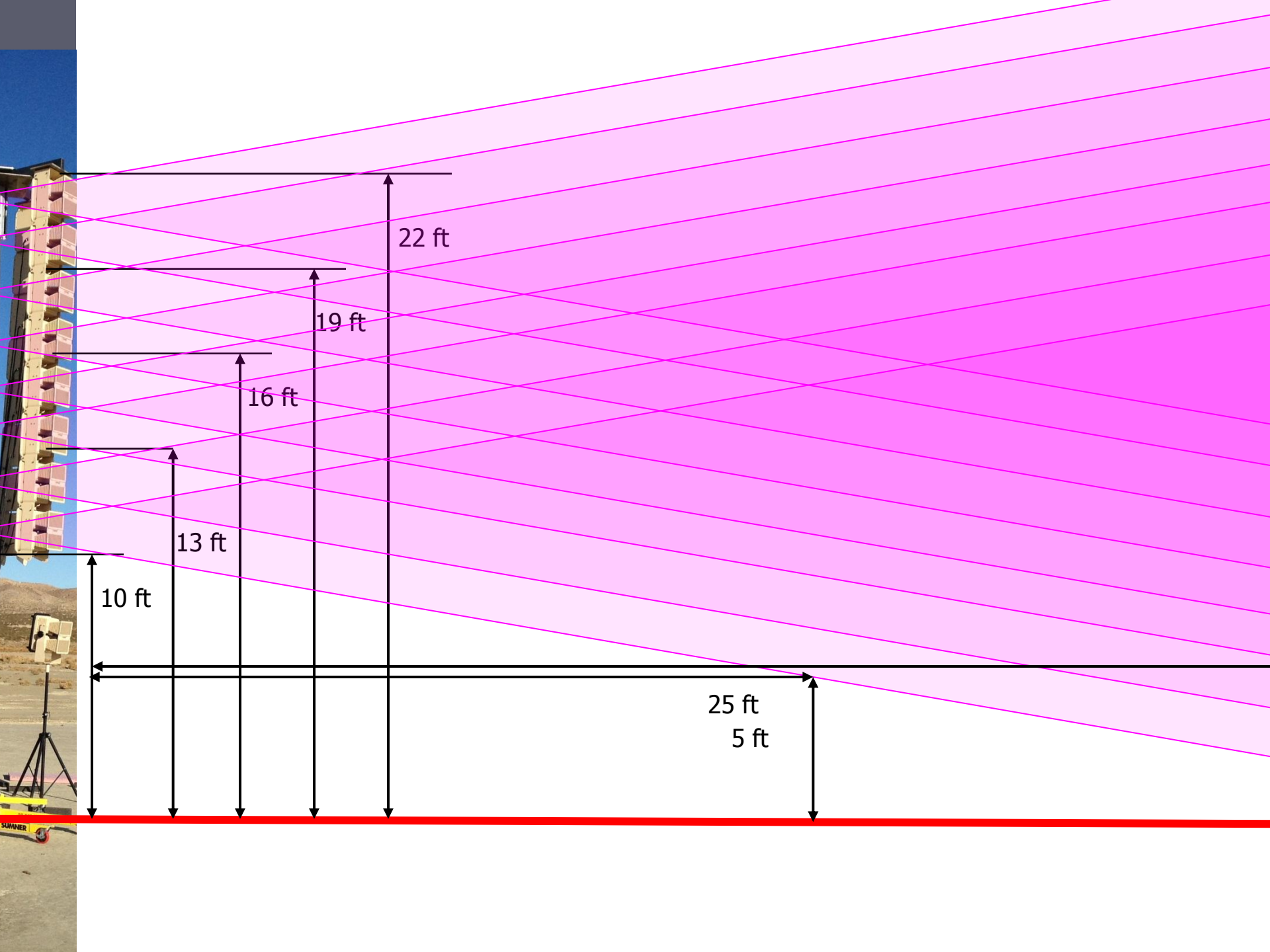


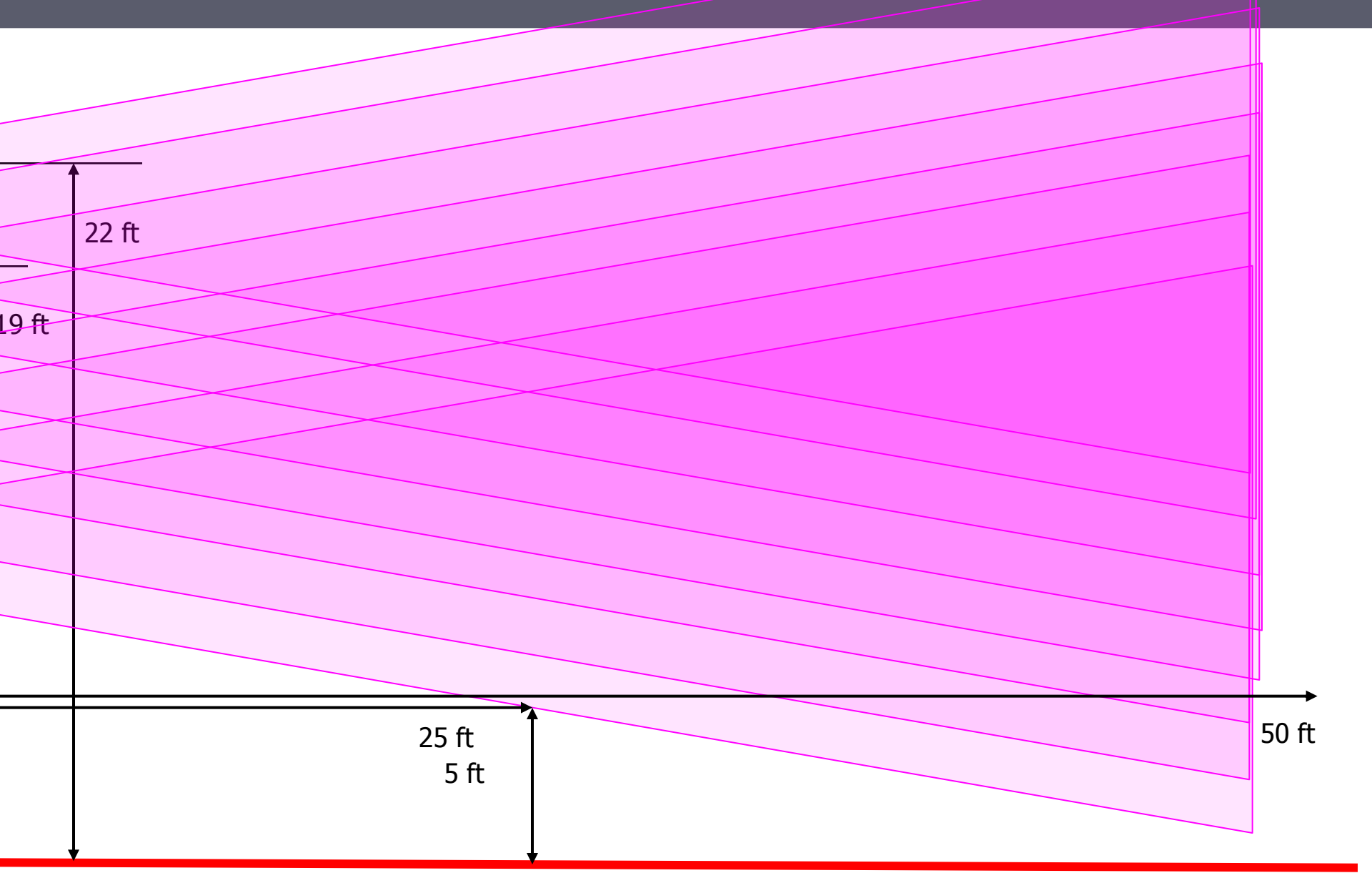


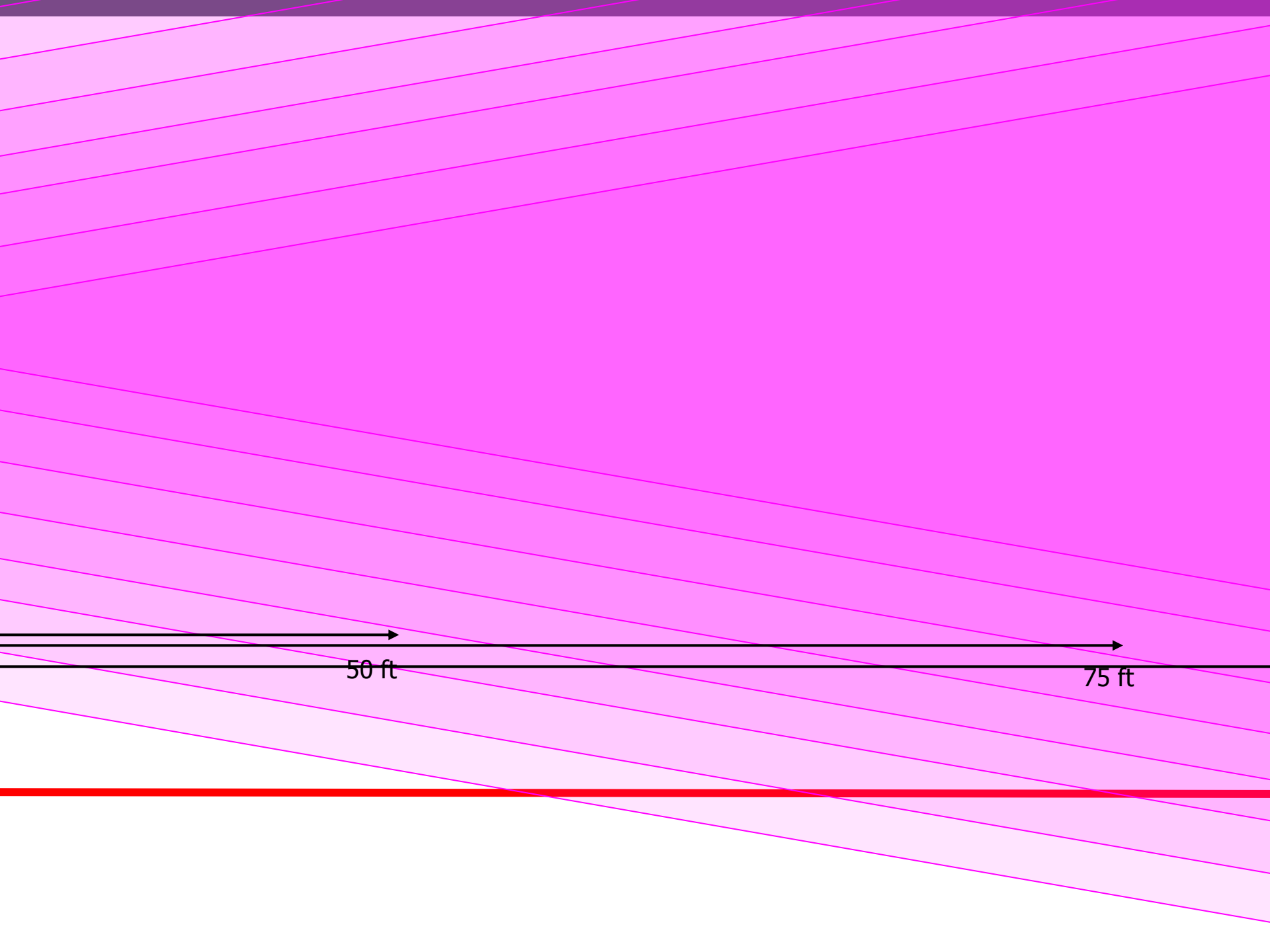






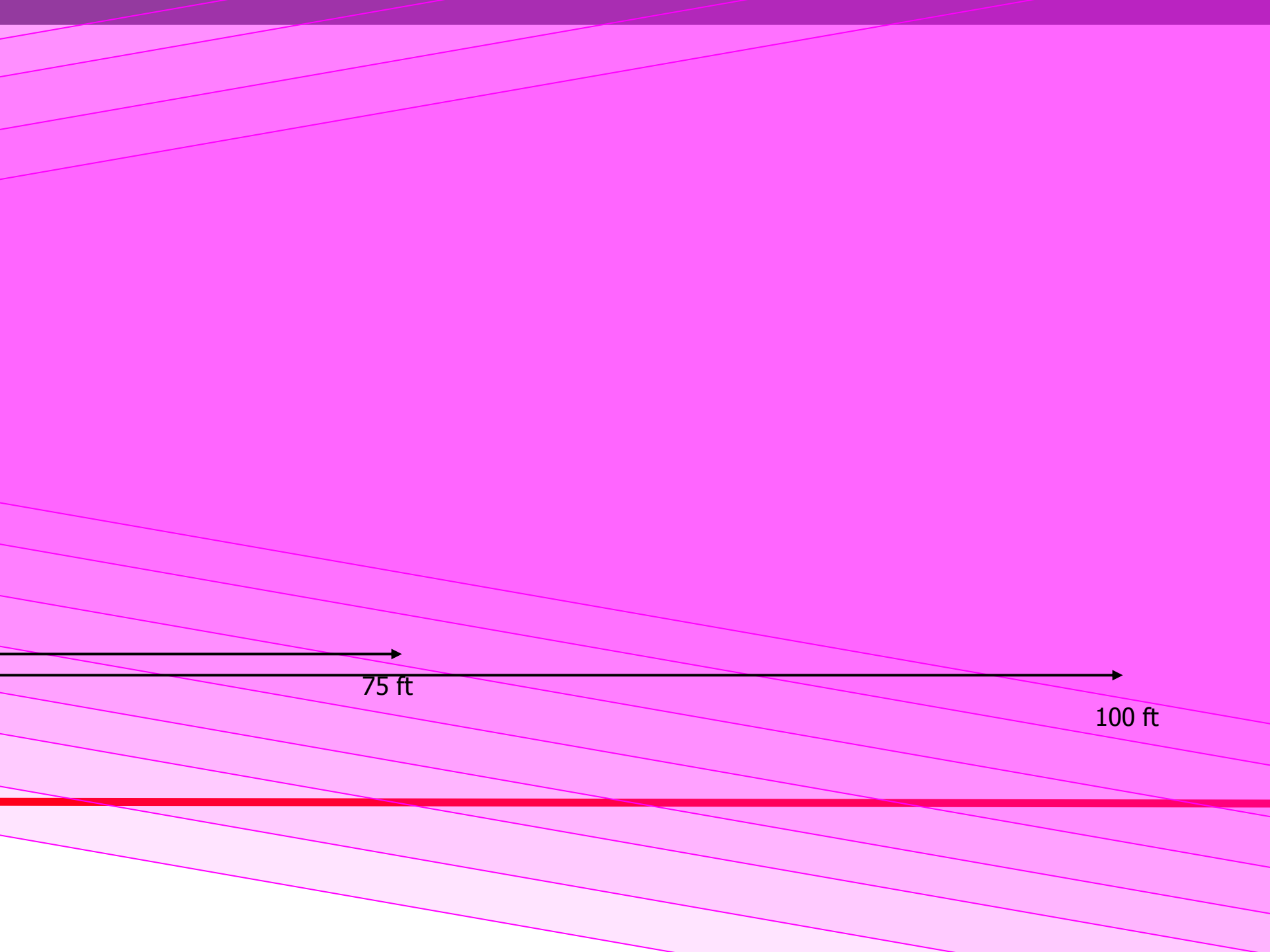






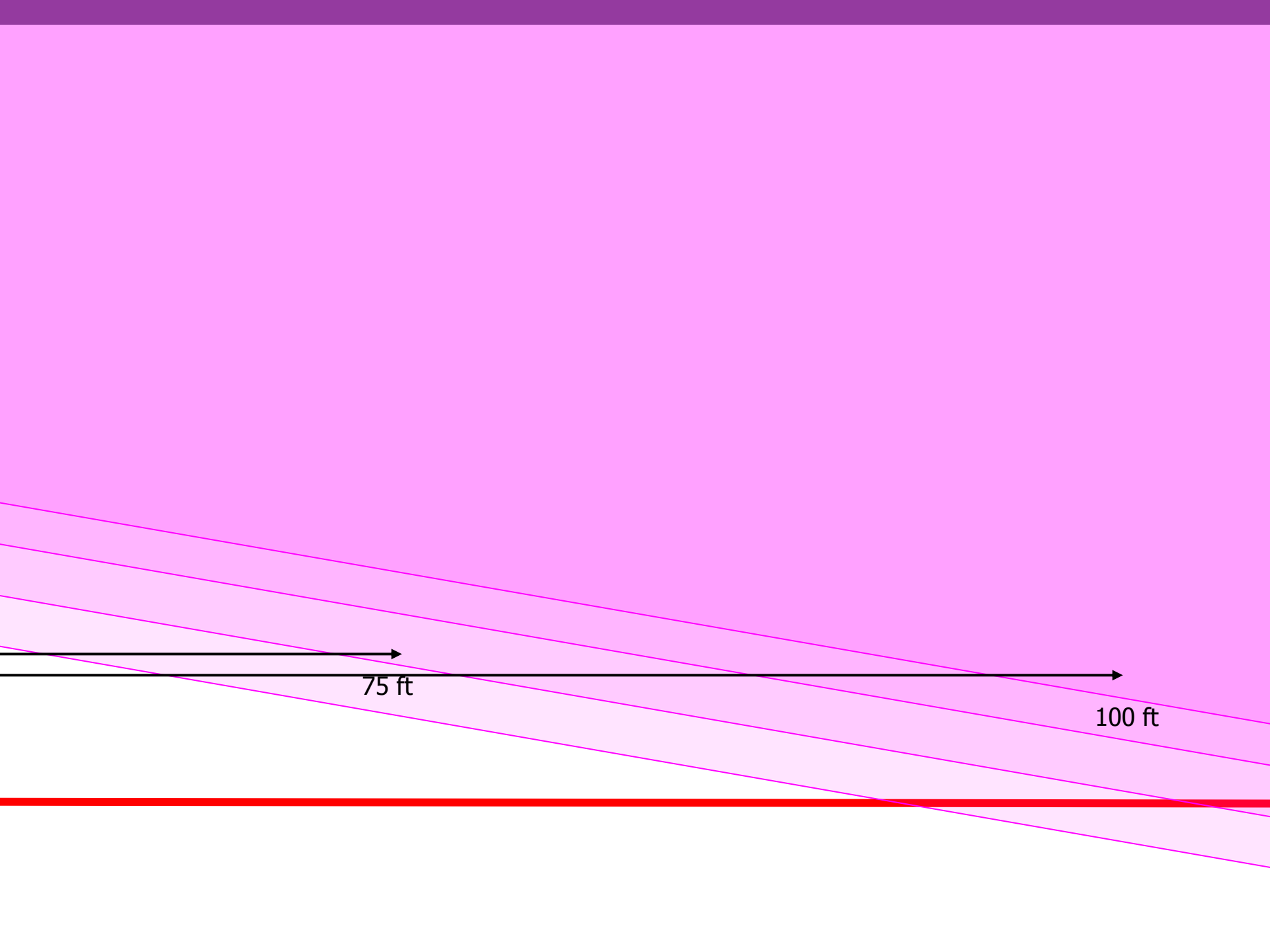
50 ft

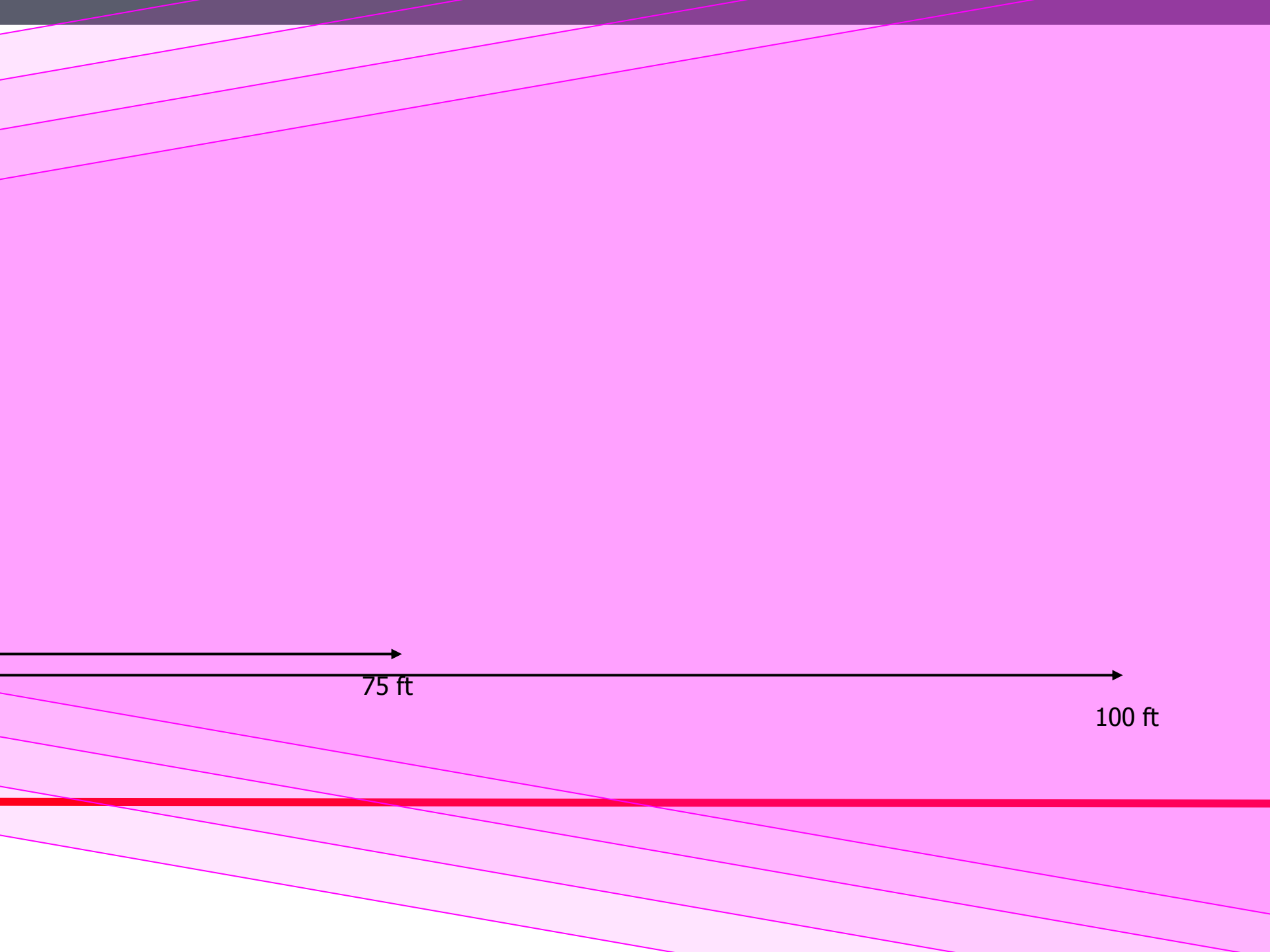
75 ft



75 ft

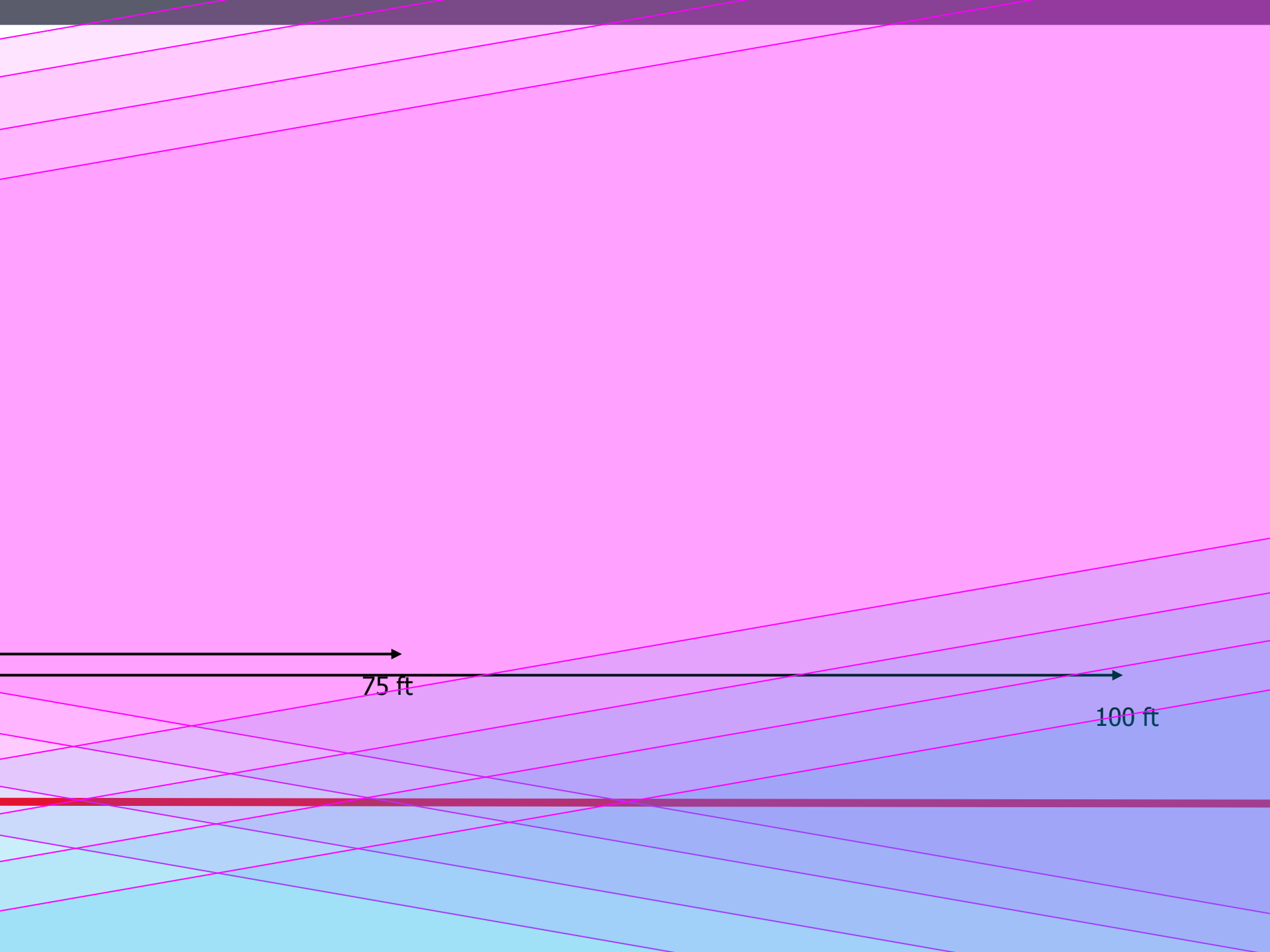
100 ft





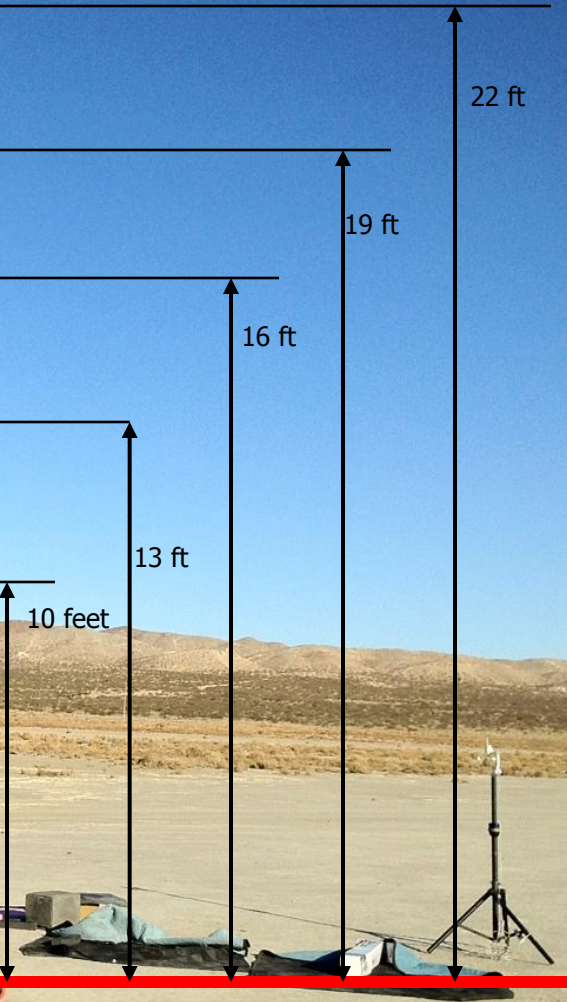
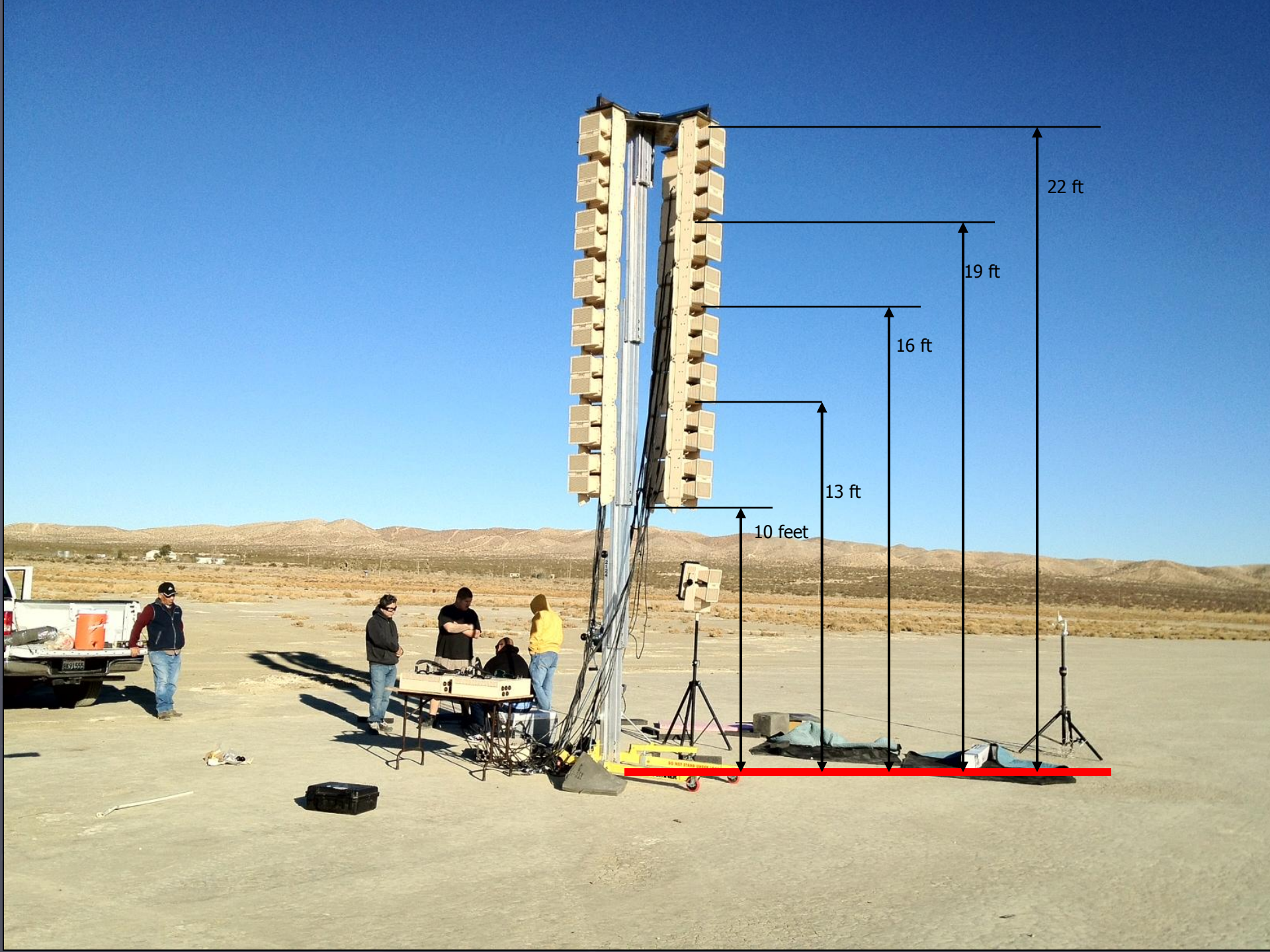
75 ft

100 ft



75 ft

100 ft



22 ft

19 ft

16 ft

13 ft

10 feet

